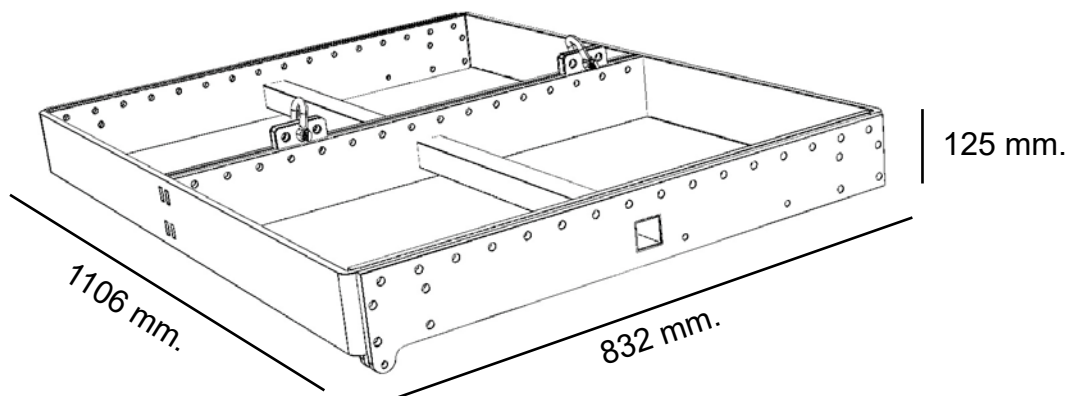
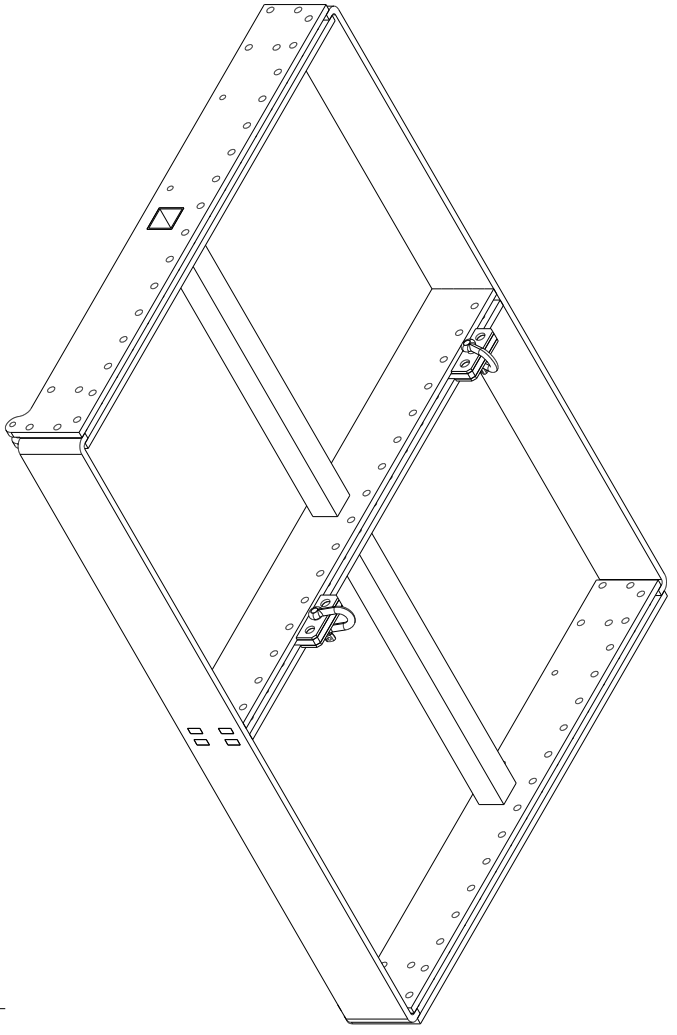
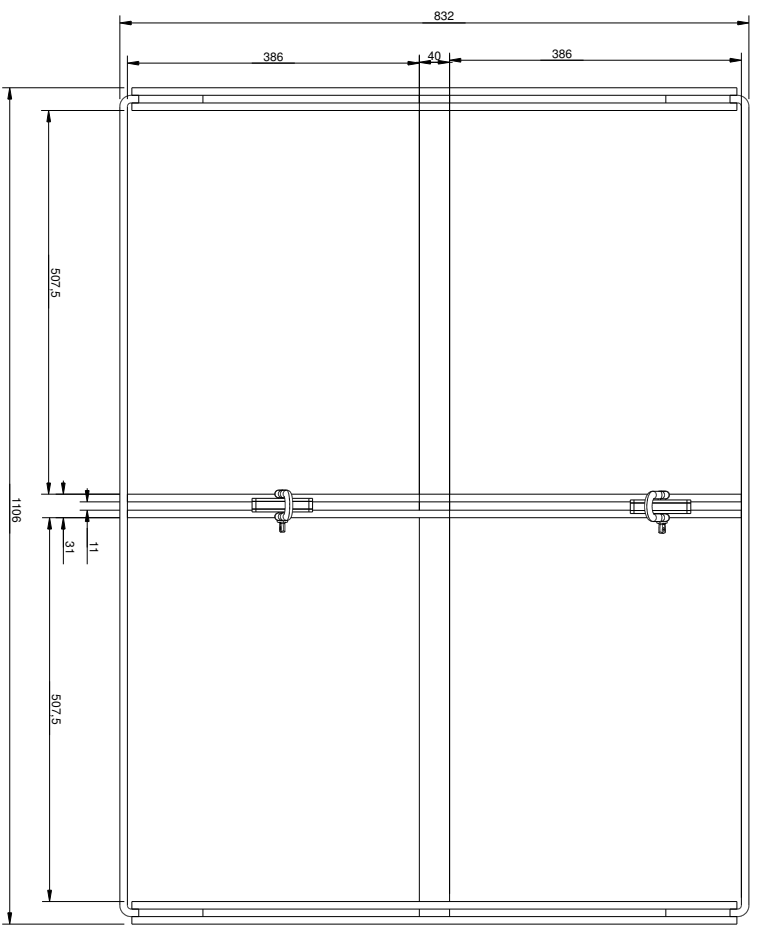
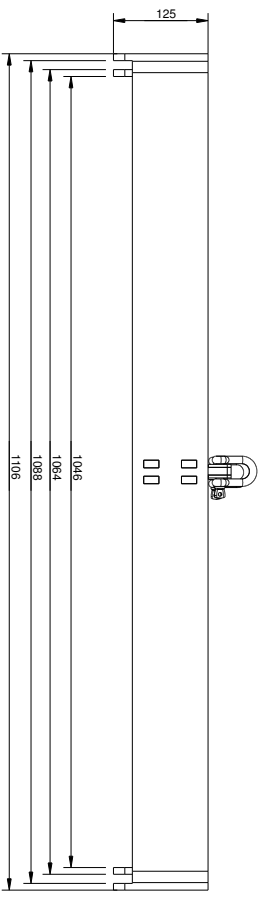
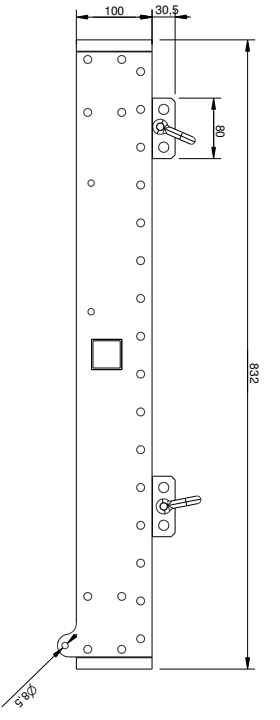


PROPHON

SOUND SYSTEMS

Art. nr:	PLA2124631FR
Denomination:	Bumper frame for PLA2124631 Line array
Weight:	~60 kg.
Dimensions mm.:	Width: 1106 x length:832 x Height: 125
Materials	Structural steel, S235
Thickness of goods:	10 mm.
paint:	Black powder-coated
Max total speakers:	12 pcs. PLA2124631





PROPHON

AUDIO & TEKNIK AB

Item/rev	Quantity	Title/Name, designation, material, dimension etc	Article No./reference
Drawn by Propphon		Checked by TL	Date 2020-02-20
		Approved by - date	Scale 1:1
PLA2124831FR - PLA2124831 line array			
10 mm, thick construction steel			
black powder-coated			
		Edition	Sheet
			1 av 1